



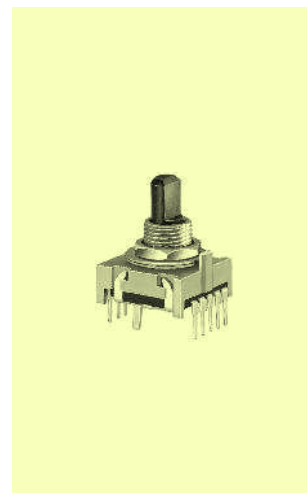
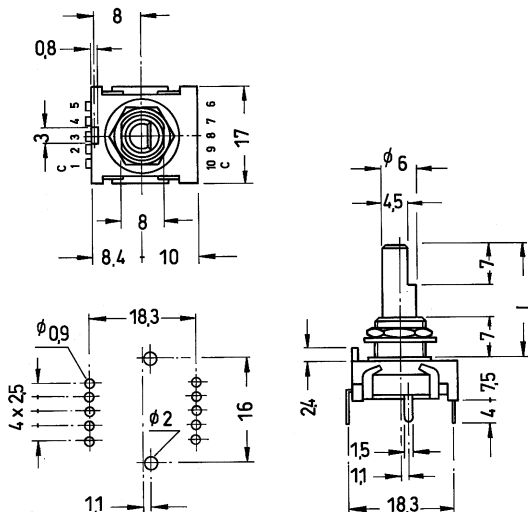
# Miniature Rotary Switches

## Specifications:

Contact rating:	16 V DC, 300 mA
Contact resistance:	< 50 mΩ
Insulation resistance:	> 100 MΩ at 500 V DC
Dielectric strength:	100 V, 50 Hz for the duration of 1 minute
Operating temperature:	-20 °C to +80 °C
Mechanical life:	minimum 10 000 operations
Contacts:	gold
Material:	case: PBT with glass fibre 30%; shaft: PA, flat
Angle between 2 positions:	30°
Mounting:	on pc-board or front panel, bushing M 9 x 0.75, key 12 mm
Contact timing:	non-shorting
Soldering conditions:	max.: 3 sec, 260 °C

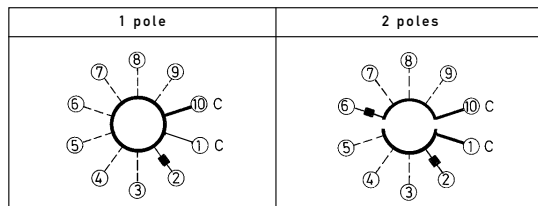
## Models:

MRS 18 V



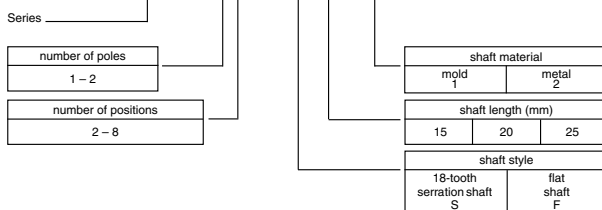
9

## Circuit diagram:



## Ordering code:

\* MRS 18 V - 15 N - F 25 - 1



\* Non-stock item; minimum quantity and delivery time on request